

2SD2258 (Tentative)

Silicon NPN epitaxial planer type

For low-frequency output amplification

■ Features

- Darlington connection.
- High forward current transfer ratio h_{FE} .
- Allowing supply with the radial taping.

■ Absolute Maximum Ratings (Ta=25°C)

Parameter	Symbol	Ratings	Unit
Collector to base voltage	V_{CBO}	60	V
Collector to emitter voltage	V_{CEO}	50	V
Emitter to base voltage	V_{EBO}	5	V
Peak collector current	I_{CP}	1.5	A
Collector current	I_C	1	A
Collector power dissipation	P_C^*	1	W
Junction temperature	T_j	150	°C
Storage temperature	T_{stg}	-55 ~ +150	°C

* Printed circuit board: Copper foil area of 1cm² or more, and the board thickness of 1.7mm for the collector portion

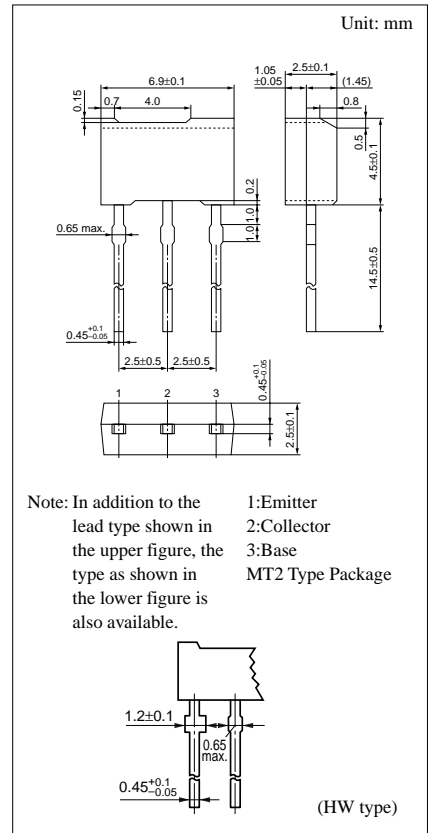
■ Electrical Characteristics (Ta=25°C)

Parameter	Symbol	Conditions	min	typ	max	Unit
Collector cutoff current	I_{CBO}	$V_{CB} = 45V, I_E = 0$			0.1	μA
Emitter cutoff current	I_{EBO}	$V_{EB} = 4V, I_C = 0$			0.1	μA
Collector to base voltage	V_{CBO}	$I_C = 100\mu A, I_E = 0$	60			V
Collector to emitter voltage	V_{CEO}	$I_C = 1mA, I_B = 0$	50			V
Emitter to base voltage	V_{EBO}	$I_E = 100\mu A, I_C = 0$	5			V
Forward current transfer ratio	h_{FE}^{*1}	$V_{CE} = 10V, I_C = 1A$	4000		40000	
Collector to emitter saturation voltage	$V_{CE(sat)}$	$I_C = 1A, I_B = 1mA^{*2}$			1.8	V
Base to emitter saturation voltage	$V_{BE(sat)}$	$I_C = 1A, I_B = 1mA^{*2}$			2.2	V
Transition frequency	f_T	$V_{CB} = 10V, I_E = -50mA, f = 200MHz$		150		MHz

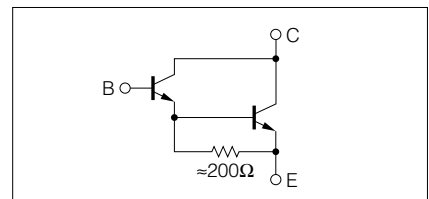
^{*1} h_{FE} Rank classification

Rank	Q	R	S
h_{FE}	4000 ~ 10000	8000 ~ 20000	16000 ~ 40000

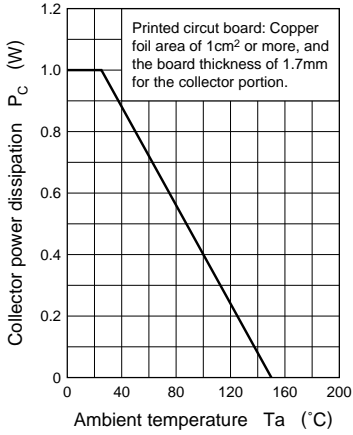
^{*2} Pulse measurement



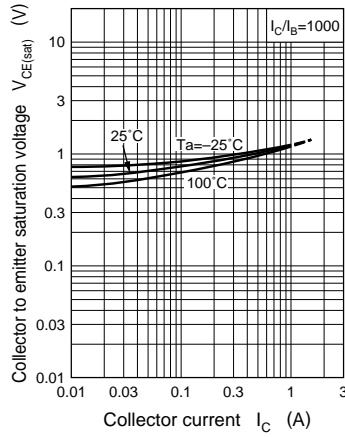
Internal Connection



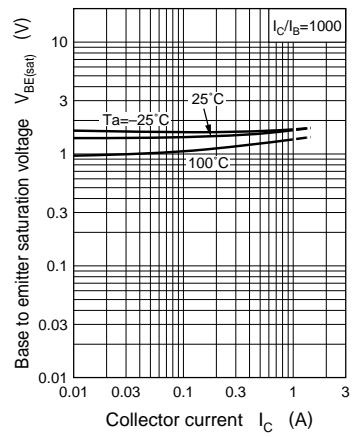
$P_C - T_a$



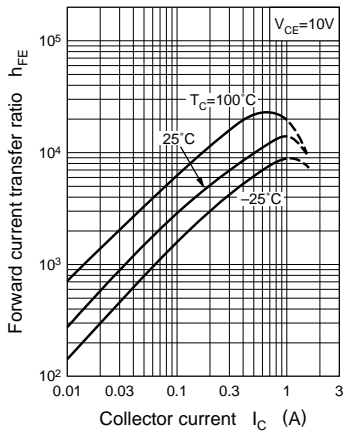
$V_{CE(sat)} - I_C$



$V_{BE(sat)} - I_C$



$h_{FE} - I_C$



$C_{ob} - V_{CB}$

